

A global leading supplier of containerised solutions



Total pressurized container solutions

TLS offshore Containers Int. provides a range of A60 DNV2.7-1 offshore pressurised solutions to the global oil and gas and renewable energy industries.

With the growing demand for onshore and offshore pressurised cabins, TLS's in house engineering team can provide a complete solution for working in hazardous environments. TLS has been manufacturing for the Oil and Gas industry since 1998.

Customised Units:

- ROV Cabins
- Test Cabins
- Control Cabins
- Telecommunications Cabins
- Mud Logging Cabins
- Office Cabins
- MWD/LWD Cabins
- Accommodation Cabins
- Laboratory Cabins
- Equipment Cabins



Mud Logging cabin standard specifications



- **Description:** A60 rated, Zone1/zone 2 cabin (for offshore application)
- **External dimension:** 6058*2438*2591mm (L*W*H)
- **Structural Rating:** DNV 2.7-1/ EN12079
- **Hazardous Area Classification:** Zone1 / zone 2

Designed, manufactured, and certified as per DNV 2.7-1 standard, IEC60079-13

- A60 Rated, Conforming to Zone1 & Zone 2
- Fire, Gas, and Smoke Safety System are included
- Fire and Gas Detectors are included
- Fume Hood and Sink are included.
- H2S Detector is included.
- Four-legged sling set (Type: Steel Ferrule)



Fire Rating: Walls, roof and floor will be insulated to A60 rating.

- Internal roof will be finished using 0.7 mm thick powder coated GI sheet
- Wall finish will be using 25mm thick sandwich panel
- 2mm thick vinyl mat flooring with 100mm high PVC skinning for floor finish
- Single leaf door 950x 2000 mm- 1 no.
- Window with safety grid -1 no.
- Emergency exit hatch -1 no.
- B15 internal air lock door - 1 no.
- Drain line for the sink to outside the cabin
- Water source line with valve to the sink with valve below the sink as well.

Electrical:

- 20KVA Transformer with range 380-415-440-460-480-690 3phase suitable for 50/60Hz.
- Electrical and HVAC panel - 1 no.
- Surface mounted fluorescent lighting
- Bulkhead light - 1 no.
- Emergency exit light- 2 nos.
- Switch- 2 nos.
- Sockets 220V - TBA
- Safety switches 40A 3pole/Main isolator - 1 no.
- MCT (S6x1) spare for client purpose - 1 no.



Air Conditioning:

- 1 no. x24000 BTU/Hr split type Air conditioning,
- Outdoor condenser fans, suitable for Hazardous area application is included in the offer
- Evaporator and condenser coil constructed from copper robe and Aluminum fins.

Detection and Alarm system:

- 1 no. Combined Pressurization on Fire and Gas (CPFG) detection panel for Zone1. System includes gas detection for H2S and CH4, smoke detection MAC, emergency stop push button, Pressurization fan, loss of pressure alarm, flow switch, pressure switch, solenoid valve and all piping and cabling.

Telephone/PA/speakers/data:

- PA speaker- 1 no.
- Telephone- 1 no.
- JB for Telephone - 1 no.
- Necessary trunking and cabling shall be provided for the above fixtures



Furniture:

- L shaped Top stone finished desktop- 1 no.
- MDF drawers- 4 nos.
- Wall mounted MDF cabinets- 3 nos.
- Leather Chair with Armrest - 2 nos.
- Stainless single bowl sink with mixer tap- 1 no. (water source from outside the cabin with valve)
- One mini bar
- One Kettle
- CO2 portable handheld fire extinguisher - 1 no.
- Any other furniture other than specified above is not included.
- Chemical Storage cabin in the Top & below the bench

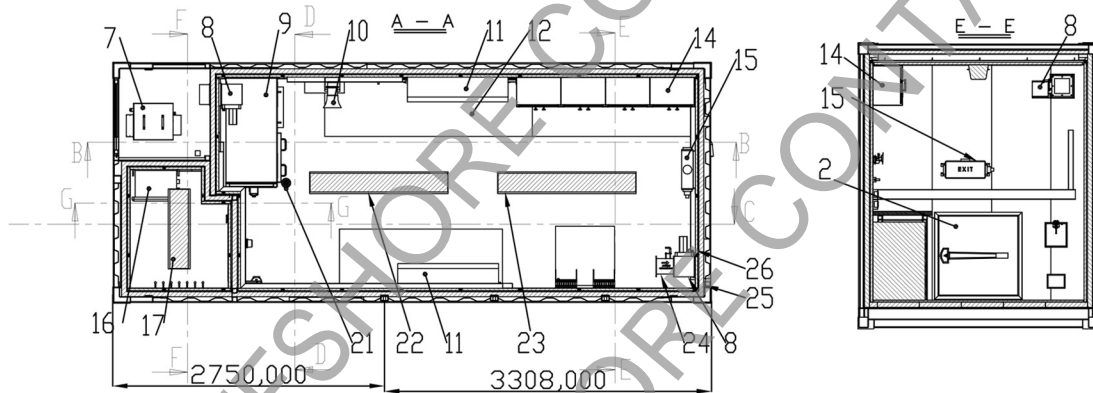
Warranty: One year

Finish Paint:

- All steelwork blasted to SA 2.5 and painted Offshore standard 3 coat marine painting system.
- Clients logo as per Clients Specs

Lifting Set:

LSling Wire Rope Steel/Galvanized 4 legs / with master link assembly. Legs ending in thimble eye Flemish spliced with steel ferrules. Certified in line with DNV 2.7 -1



Certification:

All products are produced to international standards meaning they are fit for the Purpose and meet your quality requirements. The following certification Standards apply:

- Designed and Built to DNV2.7-1
- ISO1496/CSC
- Product Standard / Approval | All quoted products ISO9001:2015
- All quoted products ISO 14001:2015
- Certification included with proposal Type approval CSC-International
- Type Approval SOLAS A60
- Copies of the certificates are required Slings, shackles, bars and pad eyes
- Each offshore Mud cabin will be equipped with 4 lifting pad eyes and slings with shackles, fully certified with identification plate showing maximum load. date of inspection. certification

Wherever you are in the world TLS can help you, contact us.

Head Office

Singapore

73 Ubi Road 1, Oxley Bizhub, Singapore

E-mail: sales@tls-containers.com

China

198 Wuzhou east road, Yangzhou, China

Telephone: +65-89601885

